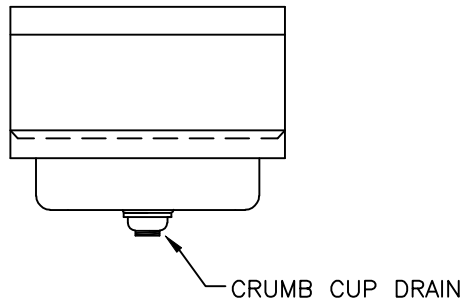
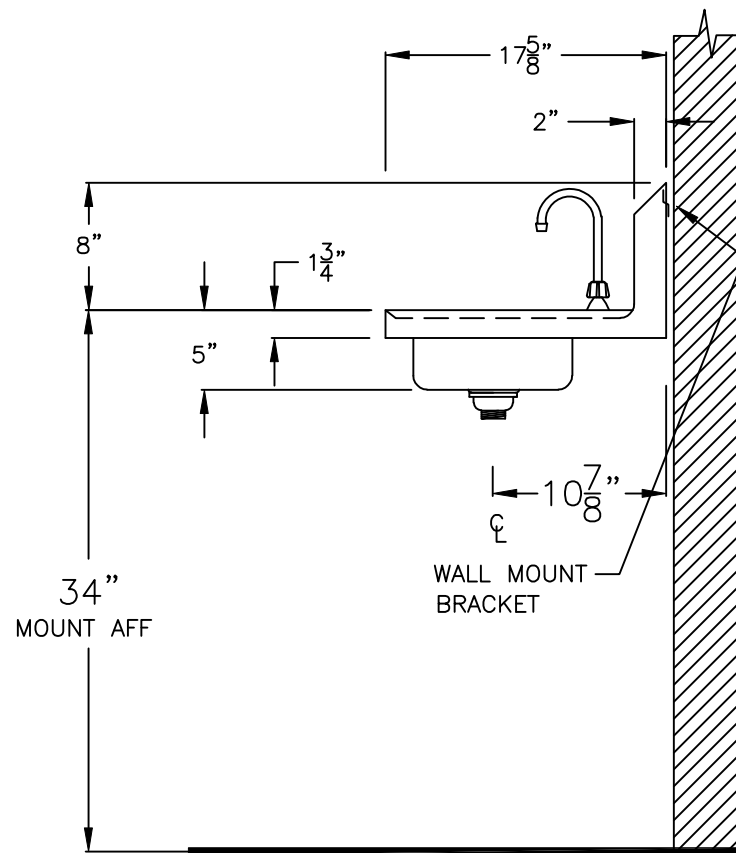


PLAN VIEW



FRONT ELEVATION



END VIEW

### SPECIFICATIONS

18 GA. 304 STAINLESS STEEL CONSTRUCTION

### ACCESSORIES

FACUET - #KN414000 W/ GOOSENECK SPOUT  
 CRUMB CUP DRAIN 1 1/2" NPS  
 WALL MOUNT BRACKET

### DH-25 HANDSINK

Item Description: WALL MOUNT HANDSINK		
Sheet Description:		
Item #	Date: 2006	Engineer: RAH
Sales Order #	Drawing # MMS-1090	Sheet #

**Amtekco**  
 INDUSTRIES, INC.

MANUFACTURERS OF QUALITY PRODUCTS FOR THE FOOD MARKETING INDUSTRY  
 1205 Regusse Road, Columbus, Ohio 43207  
 (614) 228-8690 Fax (614) 737-8016